



Datasheet

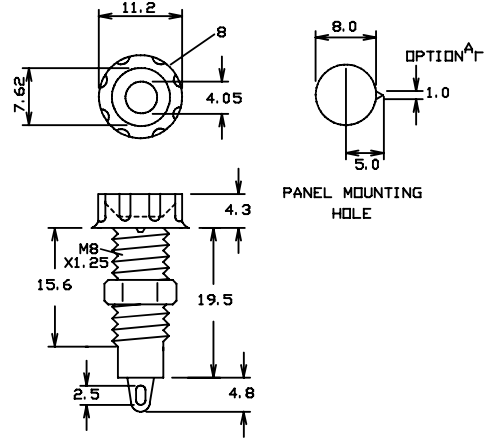
Stock No. 191-7883 191-7884 191-7885 191-7887 RS PRO 2mm /4mm TEST CONNECTORS



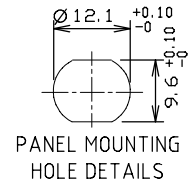
ENGLISH



Stock No. 191-7883
Unshrouded 4mm socket S14.
Nickel plated.
1 x Red and 1 x Black
Rated 30V AC, 60V DC, 10A
maximum.



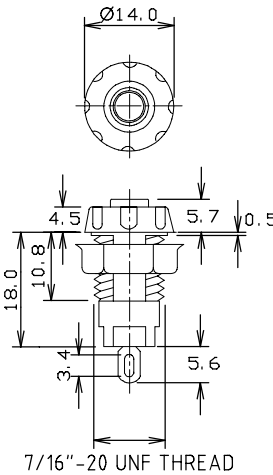
PANEL MOUNTING HOLE



PANEL MOUNTING HOLE DETAILS

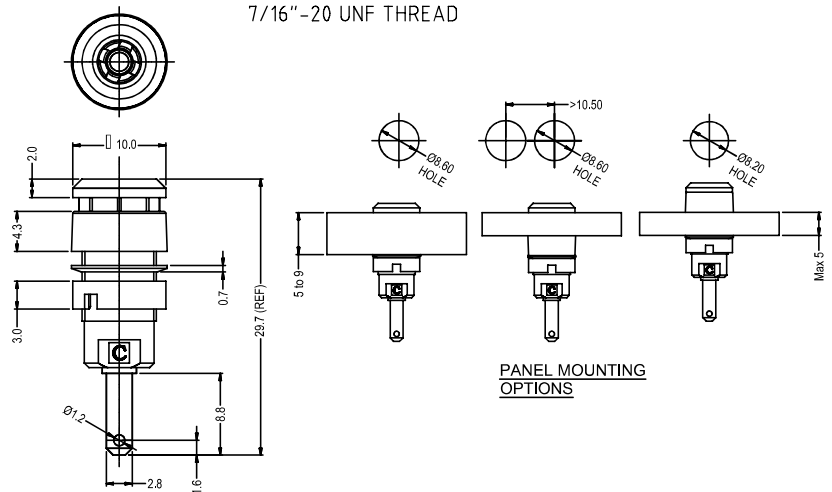


Stock No. 191-7884
Shrouded 4mm socket S16C.
Gold plated.
1 x Red and 1 x Black Rated
1000V, 30A maximum, CAT III.

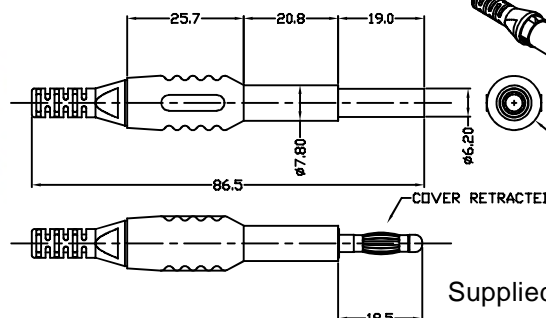


Stock No. 191-7885 - Shrouded 2mm
socket S18. Gold plated. 1 x Red and 1 x
Black.

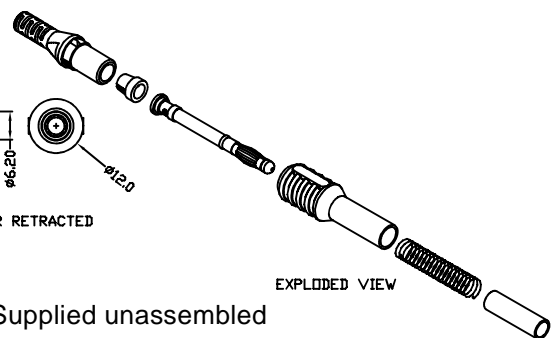
Rated 600V, 10A maximum, CAT III.



PANEL MOUNTING OPTIONS



Supplied unassembled



EXPLODED VIEW

Stock No. 191-7887- Retractable 4mm Plug P14XASR Nickel plated
plug with retractable shroud and cable restraint collet. 1 x Red and 1
x Black. Rated 1000V, 10A maximum, CAT II. Max cable Ø4.2mm.